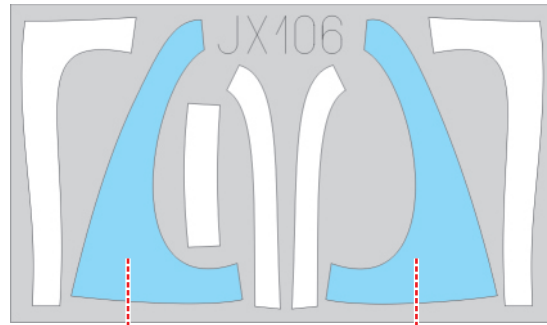


**eduard**  
**MASK**

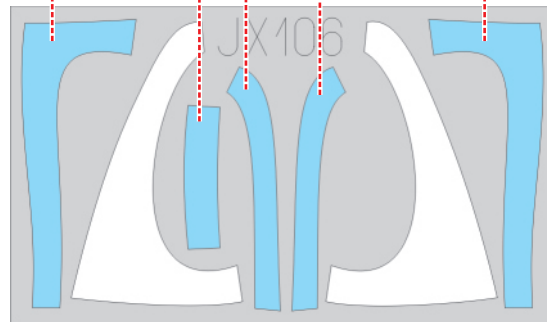
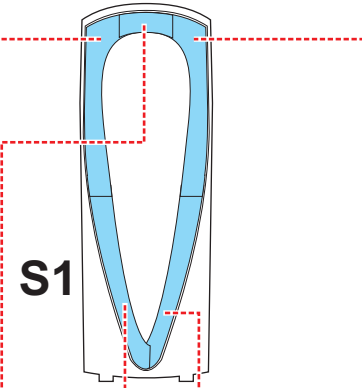
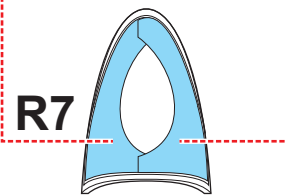
**JX 106**

# F/A-18E 1/32

The die-cut mask for accurate canopy frame painting of the  
*Trumpeter* scale 1/32 KIT

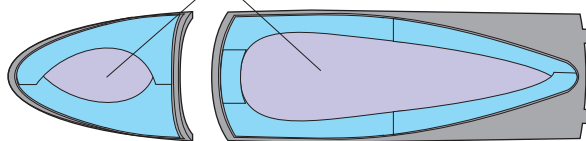


1.)



2.)

LIQUID MASK ■



R7

S1

3.)

